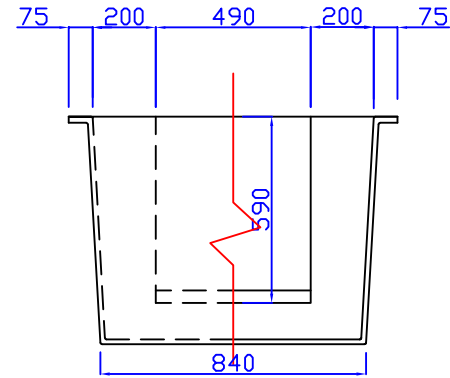
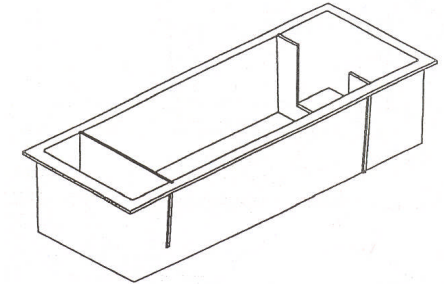


Side View/Section

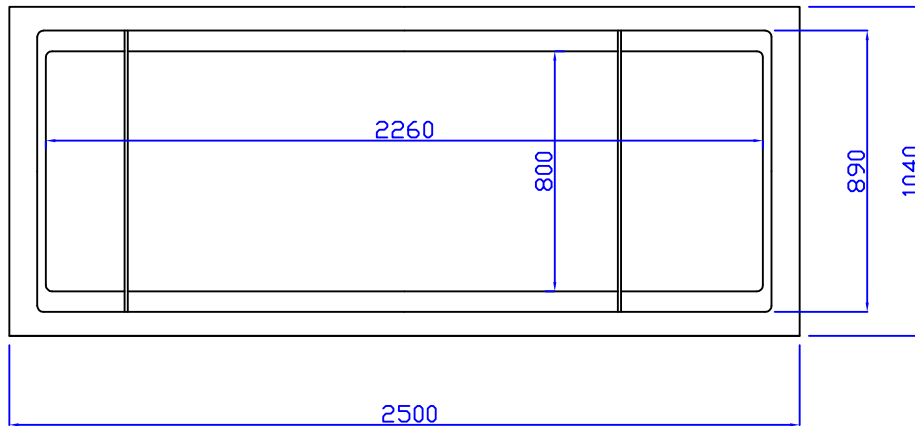


End View/Section

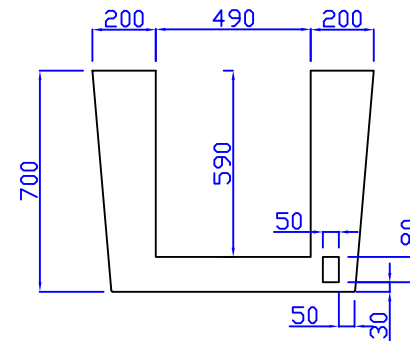
BCM GRC Ltd,
 Unit 22,
 Civic Industrial Park,
 Whitchurch,
 Shropshire, SY13 1TT
 T. 01948 665321
 F. 01948 666381
 E. bcmgrc@aol.com
 W. www.bcmgrc.com



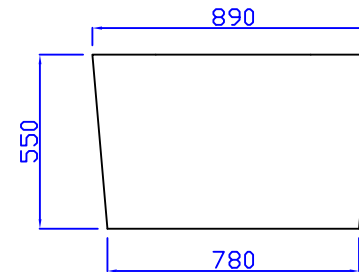
Isometric View



Side View/Section



Outlet Weir



Baffle

- Notes:
1. All dimensions in mm.
 2. Material Hand Sprayed GRC Grade 18
 3. Supplied with "V" notch wier plate

GRC Sampling Chamber

Dwg RWC-08-01 Rev -

Not to Scale

11.05.04
 PGS